



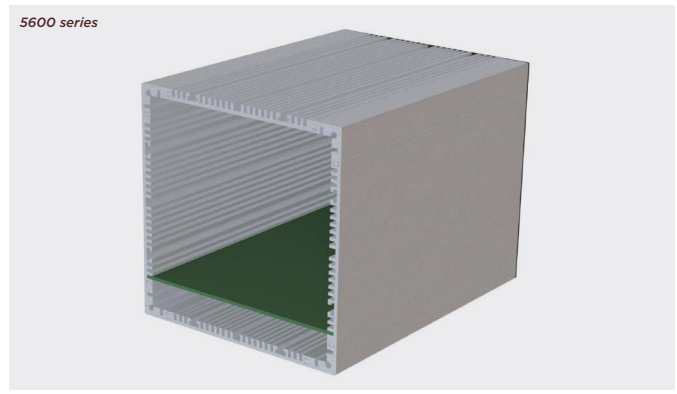
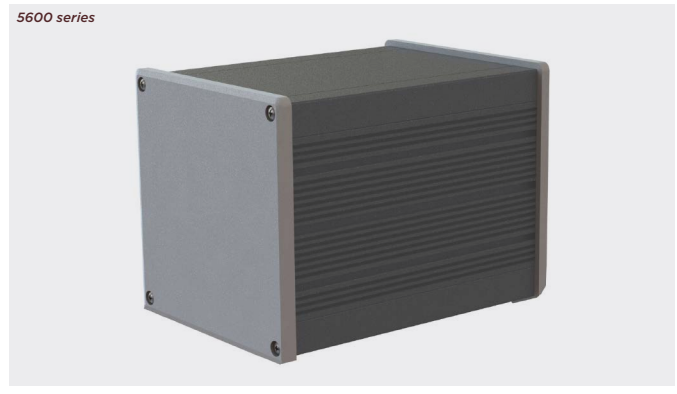
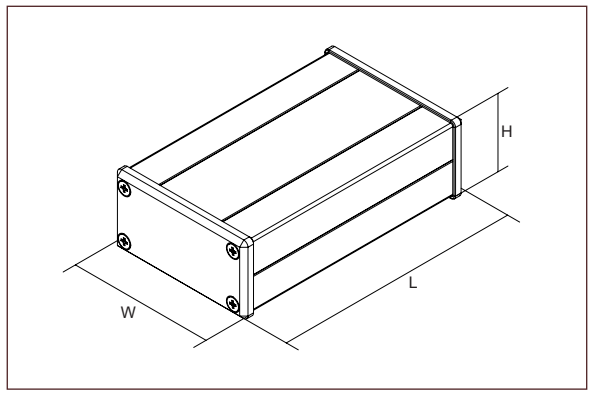
# 5600 series extruded aluminium modular enclosure

## Product overview

- Unique modular extruded aluminium construction
- Made up from interlocking 30mm and 80mm aluminium panels and 15mm corner pieces
- Reversible panels
- T-slots accept M3 half nuts and a range of accessories including PCB mounts, instrument feet, etc
- Heatsink options available
- Standard lengths available; custom lengths by request
- Plastic end panels in a variety of colours
- Aluminium end panels available
- Various wall mounting options available
- Robust anodized finish
- Panels removable for PCB access
- RFI shielding option
- PCB slot design can also be used as a heatsink when panel is reversed
- Designed to meet IP54 with optional gasket

### SPECIFICATION

Material	Aluminium alloy 6063-T6
Colour	Black anodised



PART NO.	5600	XX	-	X	XX	XXXX	XXX
Series							
Colour	Black - BK Natural - NAT						
-							
End panel material	Plastic - P Aluminium - A						
End panel colour	Black - BK White - WH Grey - LG						
Enclosure width x height	60x60mm - 0606 110x60mm - 1106 110x110mm - 1111 140x60mm - 1406 140x110mm - 1411 140x140mm - 1414 190x60mm - 1906 190x110mm - 1911 190x140mm - 1914 190x190mm - 1919						
Enclosure length	100mm - 100 120mm - 120 160mm - 160 300mm - 300						

E.g. 5600BK-PWH0606100 - 5600 series black, plastic end caps in white, 60x60x100

## KEY FEATURES

Unique modular design | Reversible panels | Adaptable enclosure

